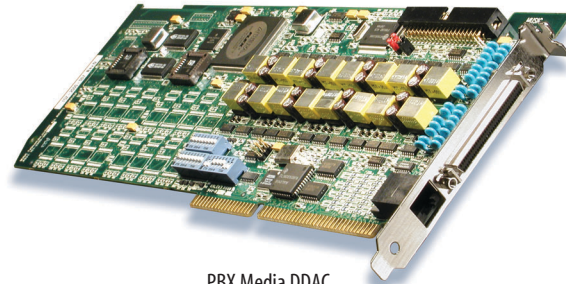


PBX MEDIA DDAC Series

Features

- Digital Passive Tap
- D-Channel Start/Stop
- On-board Diagnostic
- Advanced activity detection
- Multiple worldwide PBXs supported
- Capture keys pressed, Agent ID, Caller ID, and more
- Long tap lengths
- Upgradeable firmware for new integrations, no development effort
- Non blocking technology
- MVIP & SCSA TDM Bus (allows easy connection to SmartDSP VR Card)

Digital Station Tap Card



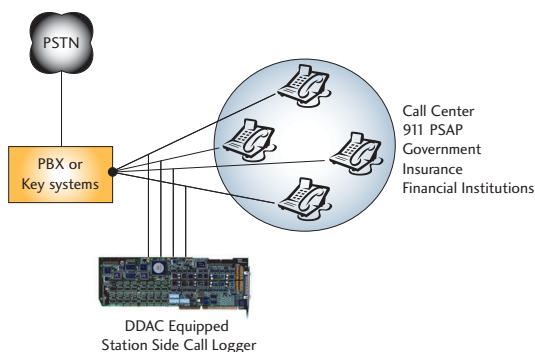
PBX Media DDAC

Overview

The DDAC is a unique PBX integration card for the call recording industry that provides features that were never available before. Accurate Start/Stop call recording can finally be accomplished.

The DDAC, operating independently of the PBX, offers developers the functionality to track a call from inception to completion, including the actions call center agent makes on the telephone. This detailed information is invaluable to data mining applications and call center managers.

The DDAC captures Call Origination, Call Termination, Caller ID, Agent ID Service (DNIS), Automatic Number Identification and Trunk Number, Agent log-in time, all digits pressed and more.



DDACs typically connect to PBXs through a punch-down block at the main distribution frame. The PBX routes calls to a digital station while the DDAC passively taps the line to that station. D-Channel information triggers the DDAC which can process the data being passed over the line by itself or by handing off the data by MVIP to a separate voice resource card like Ai-logix's SmartDSP VR.

Product	Part Number	Available
DDAC16 MVIP:	910-0403-001	Now
DAC8 MVIP:	910-0408-001	Now
DDAC16 SCSA:	910-0404-001	Now
DAC16 SCSA:	910-0402-001	Now

Product Specifications

HARDWARE SYSTEM REQUIREMENTS

Pentium II or equivalent 400 MHz or better
 ATX PCI motherboard or passive backplane with 3.3V ATX power supply
 PCI 2.2 bus

OPERATING SYSTEMS

Operating system-independent when used without D-channel support
 When D-channel support is used, the DDAC works with:
 Windows NT® 4.0
 Windows 2000

TECHNICAL SPECIFICATIONS

Channels per card: 8 channels per card
 Max boards per system: 8 boards (128 channels)
 TDM Expansion Bus: MVIP/SCSA (PCM32 Optional)
 Timeslots: 8/16 Active
 Boards Status: On-board LED
 Clocking: Master/Slave

ENVIRONMENTAL CONDITIONS

Operating Temperature: 0C to +50C
 Storage Temperature: -20C to +70C
 Humidity: 8% to 80% non-condensing

PHYSICAL CHARACTERISTICS

Form Factor: Full-size ISA card

HOST INTERFACE

I/O Address: COM1 to COM 15
 IRQ: 3, 4, 5, 7, 10, 11, 12, 15

PBX INTEGRATIONS

Alcatel: 4200, 4400
 Aspect: ACD System
 Avaya (Lucent): DEFINITY (2 wire*, 4 wire), Merlin Magix*
 Bosch: Integral
 Comdial: Impact SCS
 Ericsson: MD110*, BusinessPhone
 Intecom: Intecom E (2-wire only)
 Intertel: Axxess
 NEC: Electra Elite, Electra Elite 192*, Professional, NEAX1000, 2000, 2400
 Nitsuko: i-Series
 Nortel: Meridian 1*, SL100, Norstar*
 Siemens: Hicom 100E, 150E, 300E
 Telrad: Integrated Systems IS 32, 128, 400, 1000 (2-Wire only)

Integrations are continually being developed, please call for latest list

TELEPHONY INTERFACE

External Connector: 68-pin female
 SCSI III style (RJ-21X adapter included)
 Line Impedance: 1k Ohms @ 256KHz, Nominal passive tap
 DC Leakage Current: (during live state) < 1mA
 DC Leakage Current: (during idle state) < 35µA
 Echo return loss: 32dB +/- 3 dB @ 1400 Hz
 Signal/Noise ratio: 35dB referenced to -15dBm
 Idle channel noise: Less then 20dBrc
 Channel Crosstalk: Less then -70 dB @ 1 KHz
 Frequency response: 300Hz to 3400Hz +/-3dB
 Ring detection: 30Vrms (min), 16 to 68Hz
 Ringer Equivalence Number: < 0.5

SDK

Ai-Logix Native MTDACLINK
 SmartControl (Control Panel)
 DACVIEW (card functionality test application)

AUDIO DIGITIZING

Encoding: U-law and A-law

POWER REQUIREMENTS

+5 VDC: 600 mA
 -5 VDC: 50 mA

TRIGGER CONDITIONS

Start/Stop: Lamp lights
 D-channel
 VOX

SAFETY AND CERTIFICATIONS

Telecom: CE mark
 Emissions: FCC Part 15 class A · EN 55022 50081-1
 Immunity: EN 50082-2
 Safety: ACA ts001-1997
 Estimated MTBF: 330,000 hours per Bellcore Method I

WARRANTY:

3 years standard

D CHANNEL EVENTS:

LIGHT_ON · LIGHT_OFF · LIGHT_FASTFLASHING · LIGHT_FLASHING · OFFHOOK · ONHOOK · DIGIT · MESSAGE_CHANGE · FUNCTION_BUTTON · HOLD_BUTTON · RELEASE_BUTTON · TRANSFER_BUTTON · ANSWER_BUTTON · SPEAKER_BUTTON · REDIAL_BUTTON · CONF_BUTTON · RECALL_BUTTON · FEATURE_BUTTON · UP_DOWN · EXIT_BUTTON · HELP_BUTTON · SOFT_BUTTON · LINE_BUTTON · RINGS · MENU_BUTTON · PREVIOUS_BUTTON · NEXT_BUTTON · LIGHT_QUICKFLASH

*Call For availability



Ai-Logix, Inc.

A member of the Ai-Technology Group

Ai-Logix, Inc. · www.ai-logix.com · Corporate Park III, 580 Howard Ave · Somerset, NJ · 08873 · T: 732-469-0880 · F: 732-469-2298